

Two channels transmitter TVTXL868A02

Transmitters with the carrier frequency in the UHF band controlled by saw resonator, for the remote control of electronic and electrical appliances in conformity with the laws and standards in force.

Execution with ABS plastic container to be integrated inside electric junction boxes.

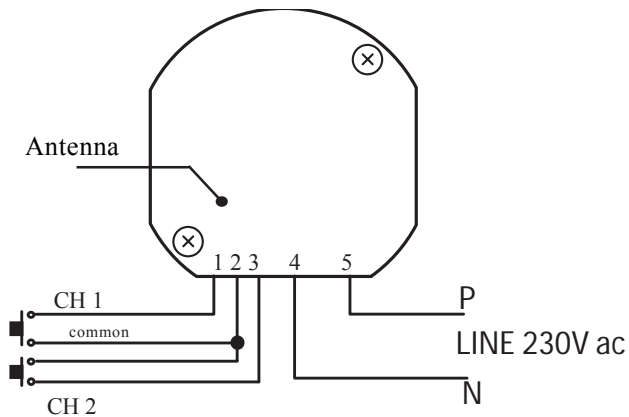
It's memorising into a receiver can be effected in two ways: or by direct intervention on the receiver through the internal push-button, or via radio with a transmitter already in memory by activating its internal push-button P3.



The subject appliance must be installed only by qualified technical personnel in compliance with the standards on the subject of automatic openings, curtains, blinds, rolling shutters. All connections must be rated for a single-phase power supply of 230Vac. Only suitable materials for the connections must be used to guarantee insulation that complies with current standards on the subject of electrical safety. The transmitter carries out movement commands by radio; all the necessary safety devices are to be seen to separately.

The radio reception of the device can be jammed by some factors, such as:

- if there are radio-electrical jamming effects coming from other devices that transmit on the same frequency
- if the device is covered by metal components; use only plastic containers



Transmitter TVTXL868A02:

Connections for the sending of signals

- White wire: channel 1
- Black wire: common
- Orange wire: channel 2

Use normally opened push-buttons

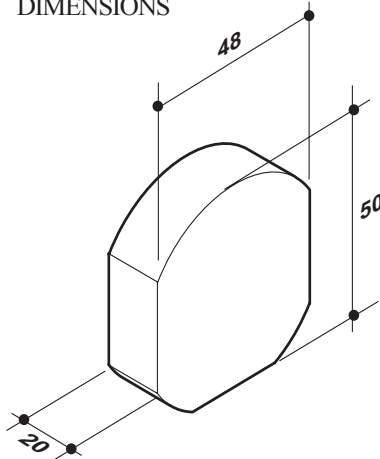
Wiring for a 230Vac power supply

- Brown wire: Power supply live wire
- Blue wire: Power supply neutral wire

Attention

This transmitter doesn't have any internal memorising push-button P3, therefore if it has been installed by itself can be memorised only by receiver. The control push-buttons work with a 12V power supply and they are isolated from the 230V line by a transformer which is placed on the card. Hold the connections of the push-buttons separate from the 230 V power supply connections.

DIMENSIONS



In the view of a constant development of their products, the manufacturer reserves the right for changing technical data and features without prior notice.