

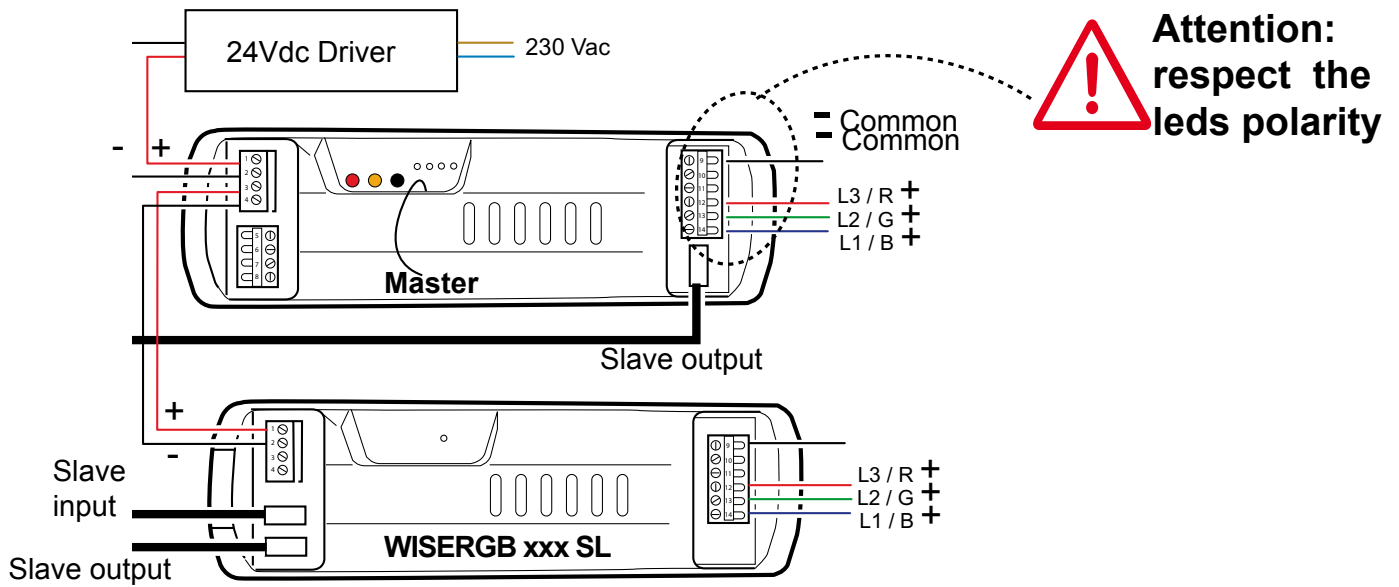
RECEIVER RGB CONTROLLING LED COMMON KATHODE

Product code:

WISERGB 350MA SL Slave receiver 350mA
TVRGB000M01

WISERGB 700MA SL Slave receiver 700mA
TVRGB000N01

1 - led wiring



Warning



Connect the power supplier and the LED RGB in a correct way to the receiver before connecting the power supplier to the electricity network.
 A faulty connection of the LED diodes (polarity inversion) could damages them, therefore pay attention during their connection by respecting the polarity. The general power supply of the device has to be by a power supplier which can supply the power and tension needed.
 At the power-on-reset the condition previous the turning-off will be resumed.
 The product must not be enclosed or placed with insulating material such as glass wool, polystyrene or similar materials. Let the housing to be well-ventilated.
 In the view of a constant development of their products, the manufacturer reserves the right for changing technical data and features without prior notice.

TECHNICAL SPECIFICATIONS

| | TVRGB000M01 | TVRGB000N01 | |
|----------------------------------|-------------|-------------|---|
| -Power supply | 24 Vdc, 21W | 24Vdc, 45W | -Cable sections in input and output 1,5 mm ² |
| -Current on the RGB outputs | 350 mA | 700 mA | -Operating temperature range -20° - +60°C |
| -Max. power for each output | 7 W | 15 W | |
| -N° LED connectable for each out | 1/6 | 1/6 | |

Code Number:

WISERGB 350MA-700MA SL

Model number

T280.05

03/02/2011