

## DIGITAL RADIO CONTROL SYSTEM TVRRL868A02M

UK

**ATTENTION!**

*The subject appliance must be installed only by qualified technical personnel in compliance with the standards. All connections must be rated for a single-phase power supply of 230V. For the disconnection from the power line, use an all-pole switch with contact with an opening of at least 3,5mm. Only suitable materials for the connections must be used to guarantee insulation that complies with current standards on the subject of electrical safety. The programmer carries out movement commands by radio; all the necessary safety devices are to be seen to separately.*

The device's signal reception could be disturbed by several factors such as:

- the presence of electrical frequency noise being transmitted by other appliances working in the same environment and on the same frequency.
- appliances installed in containers with metal parts; only use containers made of plastic.

**1- GENERAL DESCRIPTION**

Plug mounted receiver for the remote control of appliances up to a maximum resistive power of 1000 W with ON/OFF function and compatible with the TVLink system.

It can be commanded either by standard radio controls or directly through commands sent from the TVLINK (open-close from the remote control **TVTXIR**).

The commands which are sent by transmitter can be single (every channel activates and deactivates the load, ON/OFF) or in pairs:

Channel pair 1,2: channel 1- ON and channel 2 OFF

Channel pair 2,3: channel 2- ON and channel 4 OFF

The specific TVLINK codes are encoded directly by the manufacturer inside an EEprom memory module that maintains the information even in case of blackouts.

They are also printed on the product label so they can be inserted into the TVLINK device. These codes cannot be cancelled or modified as they are an integral part of the receiver.

The standard radio control codes can be inserted (memorized) or cancelled in the receiver by pressing a button through a small hole located to one side of the aerial (see picture 1)

The code transmission type is "Rolling-code". The code is changed for every transmission through the use of an algorithm that only the receiver is able to recognize.

The maximum number of memorisations that can be executed is 42.

**2- Transmitters**

The transmitters are encoded in the factory and each transmitter has its own unique code.

Caution! If you keep a channel button pressed down for more than 30 seconds the transmitter will automatically switch off.

The receiver is compatible with all transmitters of the TVLink range: TVTXV, TVTXP, TVTXC, TVTXK, TVTXQ, TVTXL, TVTXS.

**3- ATTENTION: The first transmitter can only be memorized using the receiver (you are advised to cancel the entire memory content at the beginning of each installation by pressing the P1 button).**

**3.1- Memorisation single channel**

The channels ch1, ch2, ch3, ch4 will be memorised one by one.

1- Press and hold down the pushbutton P1 of the receiver, the buzzer will sound continuously.

2- Transmit the channel which is to be memorised, once the channel is memorised, the buzzer will sound intermittently, release the pushbutton.

Repeat points 1 and 2 to memorise ulterior channels from receiver.

See paragraph 4 to memorise ulterior channels from transmitter.

**3.2- Memorisation couple of channels**

The channels ch1, ch2 and ch3, ch4 will be memorised in couple.

1- Press two times and hold down the pushbutton P1 of the receiver, the buzzer will sound continuously.

2- Transmit one of the couple of channel which is to be memorised, once the channel is memorised, the buzzer will sound intermittently, release the pushbutton.

Repeat points 1 and 2 to memorise ulterior channels from receiver.

See paragraph 4 to memorise ulterior channels from transmitter.

**4- How to insert a transmitter via radio without having to access the receiver by means of an already memorized transmitter (memory indexing procedure)**

The type of memorisation of the channels (single, couple) depends on how the channel, which is used in point 2, has been memorized.

1) Press the button P3 located inside the already memorized transmitter. The enabled receiver sound continuously for 5 seconds.

2) Transmit a channel present in the memory of the receiver, in which the new code is to be memorized, within 5 seconds and the buzzer will interrupt the sound for 1 sec, and then carry on for another 5 seconds.

3) Transmit the new channel to be memorized within 5 seconds and once memorized the buzzer will sound intermittently.

To insert other transmitters another code repeat operations 1,2 and 3

If the receiver's memory is full it cannot be enabled and this will be indicated by the buzzer B1 sounding intermittently.

**5- To cancel a code from the receiver:**

1) press three times and then hold down the button **P1** and the buzzer will sound intermittently and slowly.

2) press the channel which is to be cancelled, once it had been cancelled the buzzer will sound continuously. In the case, the channel has been memorized in pairs, this operation cancels both channels.

**5.1- To cancel a code from via radio:**

1) press three times and then hold down the button **P3** within 5 seconds and the buzzer will sound intermittently and slowly.

2) press the channel which is to be cancelled, once it had been cancelled the buzzer will sound continuously. In the case the channel has been memorized in pairs, this operation cancels both channels.

**5.2- To cancel all codes in memory:**

1) press the button **P1** four times and hold down for at least 10 seconds (during this period the buzzer will sound intermittently and rapidly) until the buzzer will sound continuously. Release the button.

**6- Full or empty memory**

If the memory of the receiver is full or empty, the buzzer will make 3 bip both during the memorisation and after the reset of the receiver.

**6.1- Errors during the memorising or deleting**

If the code hasn't been memorised it could be due to the following reasons:

- the memory is full. In this case the buzzer will sound intermittently and slowly for 3 seconds each time it is switched on,
- the indexing procedure has not been correctly started up,
- the code already exists in memory.

If the code hasn't been cancelled it could be due to the following reasons:

- the code doesn't exist in memory.

**7- TECHNICAL SPECIFICATIONS**

Reception frequency	868.3 MHz
Intermediate frequency	10.7MHz
Sensitivity (finely tuned signal)	1 $\mu$ V
Power supply	230 V $\sim$
Consumption	0.5W
Maximum commutable power at the relay:	8A 250 V $\sim$
	8A 30 V $\text{---}$
Operating temperature range	-20° $\div$ + 60 °C

In the view of a constant development of their products, the manufacturer reserves the right for changing technical data and features without prior notice.

Code Number:

Model number

TVTXV868A02-04

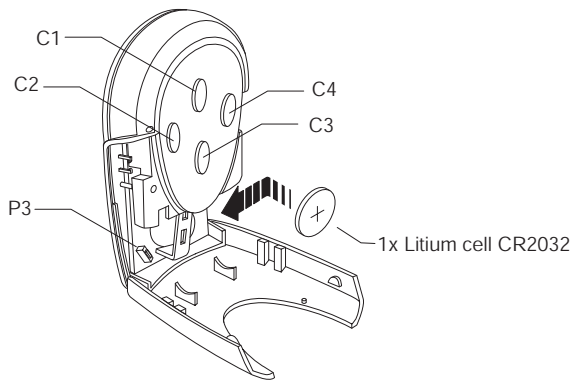
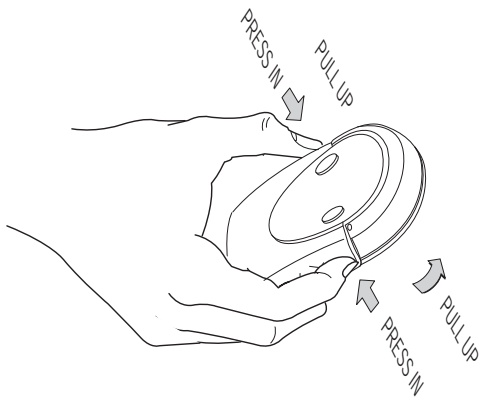
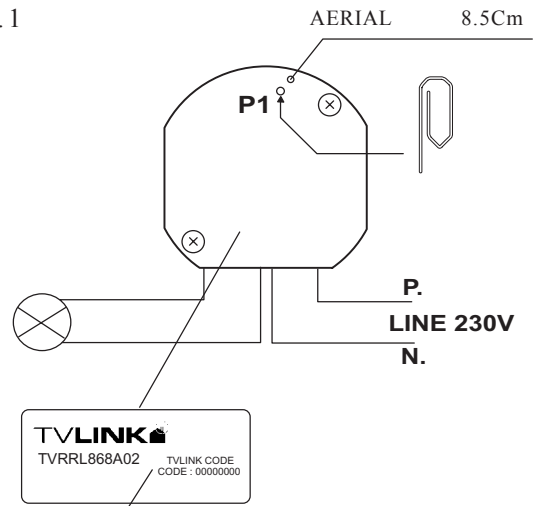
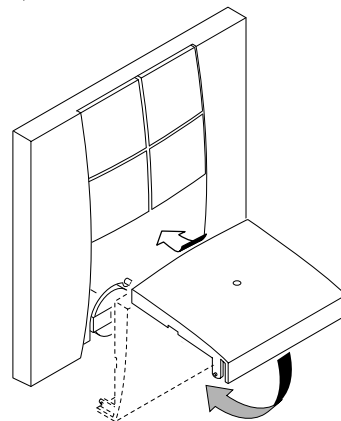
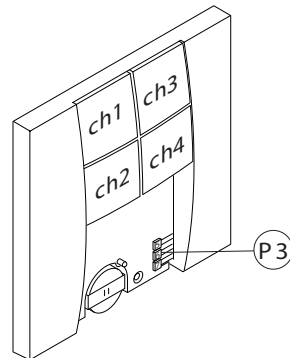


Fig. 1



Codes to be inserted in the TVLink device.

TVTXC868A04



TVTXP868A02-04

