

- Do not use with lamps already supplied with a dimmer.
- Replace fuse with type F2, 5AH 240V.

- Installation Guide

1: Connect dimmer to cable supplied with lamp.

2: Wire cable ensuring you use cable type H03VV-F 3x0,75(cable diameter 6,8 max) respecting safety norms earth wire must be at least 8mm longer than the other wires).

3: Tighten cable clamps, close terminal cover and tighten screws accurately and place rubber pads on bottom part of dimmer.

4: Keep dimmer away from direct sources of heat. Room temperature should be 35 degrees Celsius, every further 5 degrees reduces power by 20%.

5: Respect C.E.I. norms for installation, following connection diagrams carefully and using cable of adequate size.

6: Tighten dimmer screws on terminal block.

Fig. 1

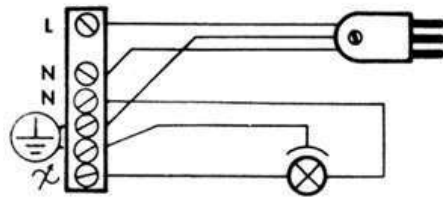


Fig. 2

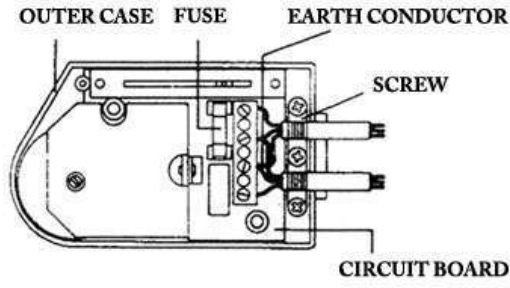


Fig. 3

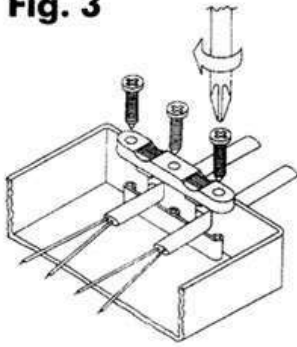


Fig. 4

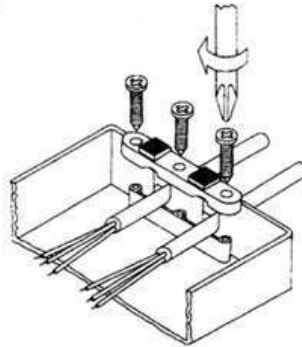


Fig. 5



Fig. 6

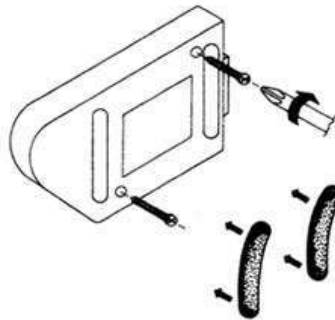


Fig. 7



Fig. 8

