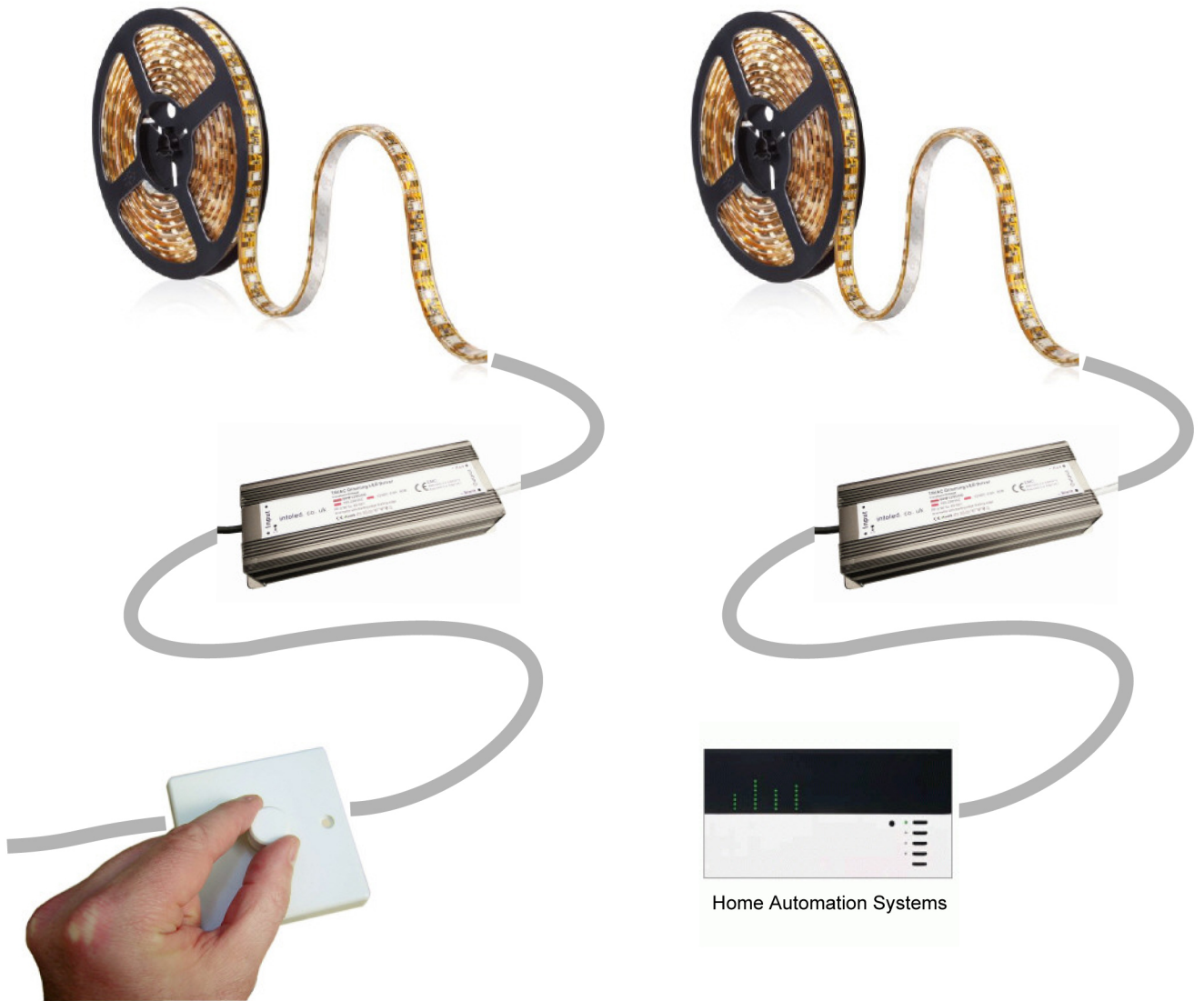


LED Strip Triac Dimmable Driver 80W 12/24vDC



New triac LED dimming controllers provide the required dim level for 12V LED strip lighting systems. Designed for ultimate flexibility, they allow users to easily add their own personal touch to illumination settings.

Simple easy wiring direct to any type of standard Leading or Trailing edge dimmer switch, no need for an expensive interface controller for most Home Automation System with big saving up to hundreds of pounds.

This new high quality triac dimmable driver to control 12v LED strip with smooth consistent dimming, free of flicker and lifespan up to 50,000 hours.

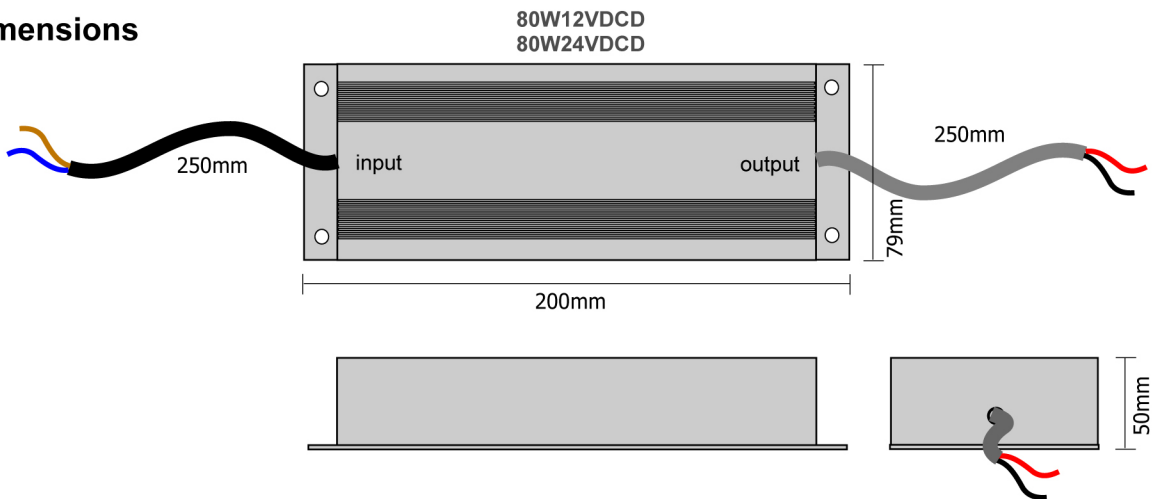
LED Strip Triac Dimmable Driver 80W 12/24vDC - Specification

	12V 80W	24V 80W
Part Number	80W12VDCD	80W24VDCD
Supply power input	170~265vAC 50/60Hz	170~265vAC 50/60Hz
Input current	0.64 - 0.43mA	0.64 - 0.43mA
Output wattage	80W	80W
Output voltage	12vDC	24vDC
Output current Max	6.66A	3.33A
Dimming range	5-100%	5-100%
Short circuit	yes	yes
Overload protection	yes	yes
1.0kv surge protection	yes	yes
Power factor	0.90	0.90
Efficiency	>85%	>85%
Class	2	2
CE	yes	yes
RoHS	Yes	Yes
EMC & Safety compliance	EN61347-2-13, EN61000-3-2, EN61000-3-3, EN55015, EN61547	EN61347-2-13, EN61000-3-2, EN61000-3-3, EN55015, EN61547

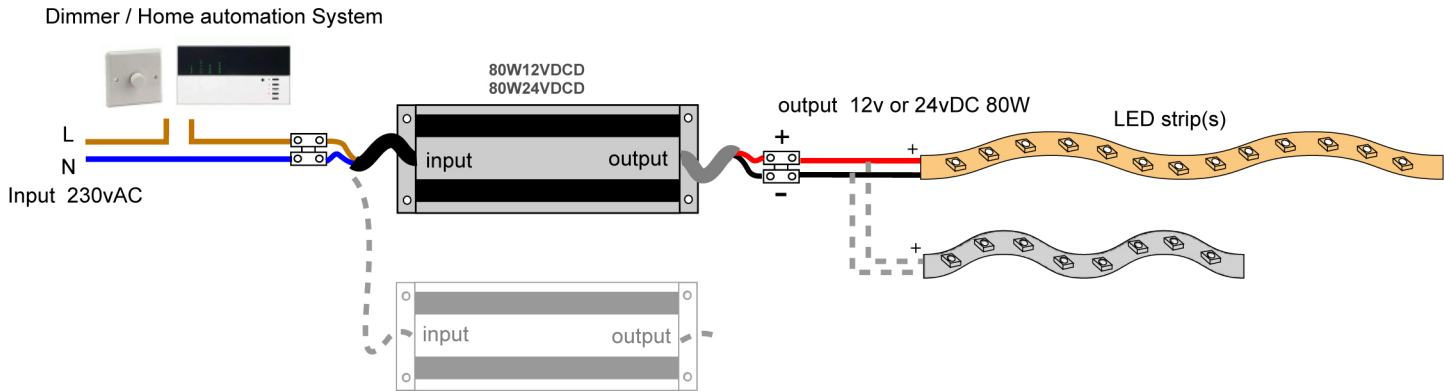


(Supply power input: 90~130vAV 50/60Hz for USA please email for request)

Dimensions



LED Strip Triac Dimmable Driver 80W 12/24vDC - Wiring layout



Additional drivers wiring layout

